



## Specifications

Electrical Ratings	50mA @ 48VDC
Electrical Life	100,000 cycles typical 1,000,000 cycles typical (stainless steel dome only)
Contact Resistance	<50mΩ initial
Actuation Force	160 ± 50gF 200 ± 50gF 260 ± 50gF 520 ± 50gF

Actuator Travel	.45 ± .1mm
Dielectric Strength	250Vrms min
Insulation Resistance	>100MΩ min
Operating Temperature	-40°C to 85°C
Storage Temperature	-55°C to 90°C

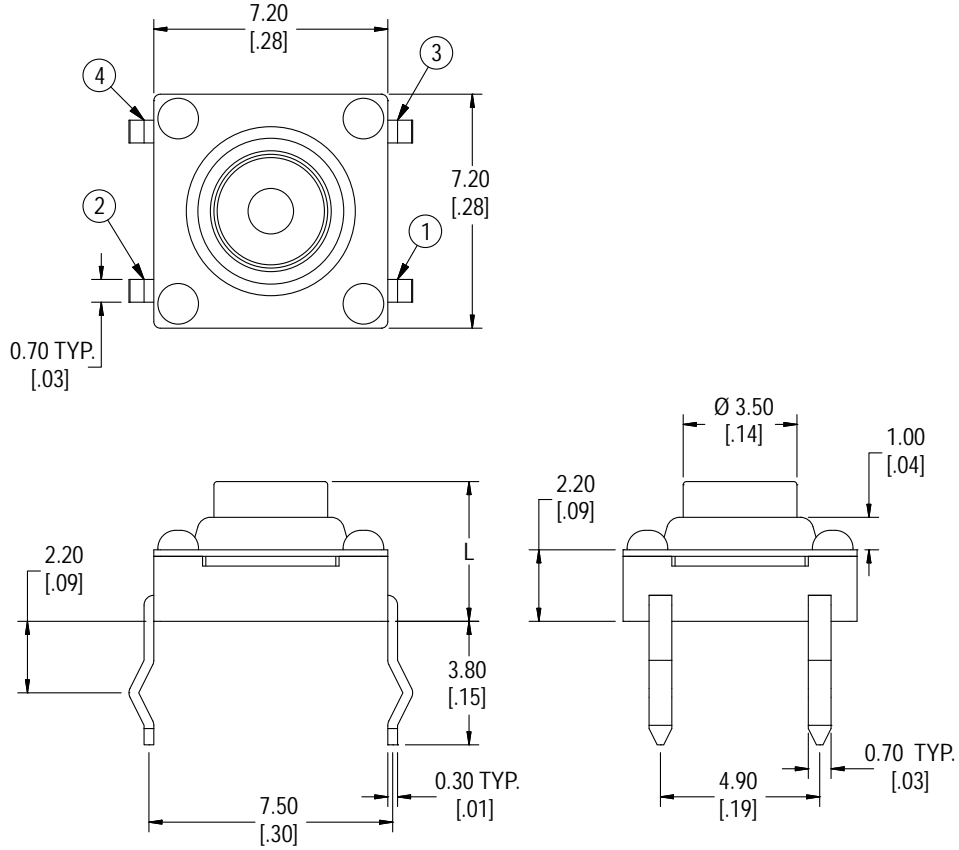
## Materials

Actuator	6/6 Nylon
Housing	6/6 Nylon
Cover	Stainless Steel
Contacts	Stainless Steel, Silver Plated
Terminals	Brass, Silver Plated

## Ordering Information

1. Series	ST	5.0	F160	Q
ST				
2. Actuator Length				
4.3 = 4.3mm				
5.0 = 5.0mm				
10.0 = 10.0mm				
3. Contact Options				
L = Stainless Steel				
4. Actuation Force				
F160 = F160gF				
F200 = F200gF				
F260 = F260gF				
F520 = F520gF				
5. Contact Material				
Q = Silver				

**Dimensions**



**Schematic & PC Layout**

